

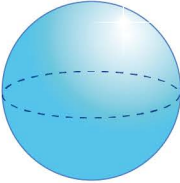
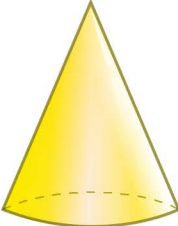
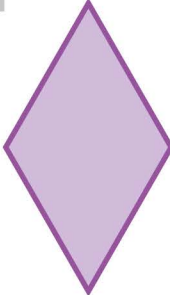
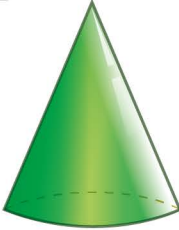
Name: ..... Class: .....

## Select three-dimensional shapes

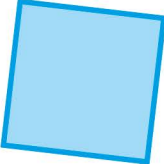
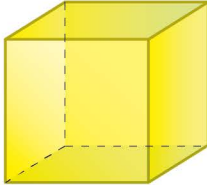

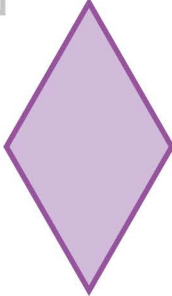


Tick cones and sphere shapes.

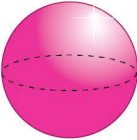

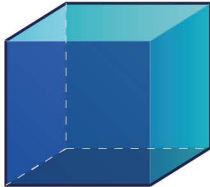
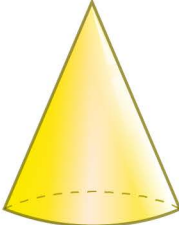


<input type="checkbox"/>	<input type="checkbox"/>	<input type="checkbox"/>	<input type="checkbox"/>
			

Tick cube and cylinder shapes.

<input type="checkbox"/>	<input type="checkbox"/>	<input type="checkbox"/>	<input type="checkbox"/>
			

Tick the rectangular prism shape.

<input type="checkbox"/>	<input type="checkbox"/>	<input type="checkbox"/>	<input type="checkbox"/>
			



Name: ..... Class: .....

## Select three-dimensional shapes



Tick cones and sphere shapes.



<input checked="" type="checkbox"/> 	<input checked="" type="checkbox"/> 	<input type="checkbox"/> 	<input checked="" type="checkbox"/> 
---	---	------------------------------	---

Tick cube and cylinder shapes.

<input type="checkbox"/> 	<input checked="" type="checkbox"/> 	<input checked="" type="checkbox"/> 	<input type="checkbox"/> 
------------------------------	---	---	------------------------------

Tick the rectangular prism shape.

<input type="checkbox"/> 	<input checked="" type="checkbox"/> 	<input type="checkbox"/> 	<input type="checkbox"/> 
------------------------------	---	------------------------------	------------------------------

