

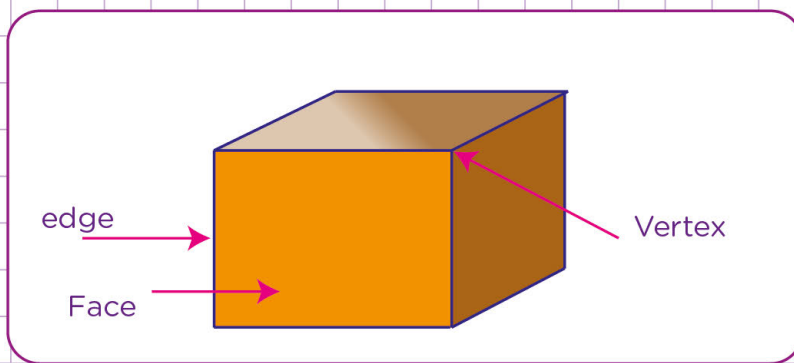
Name: ..... Class: .....

Count vertices edges and faces

A **face** is a flat surface.

An **edge** is a line segment where two faces come together

A **vertex** is a corner



Write the number of vertices, edges and faces, each figure has

Edges  
 Faces  
 vertices

Edges  
 Faces  
 vertices

Edge  
 Face  
 vertex

Edges  
 Faces  
 vertices

Edges  
 Faces  
 vertices

Edges  
 Faces  
 vertices

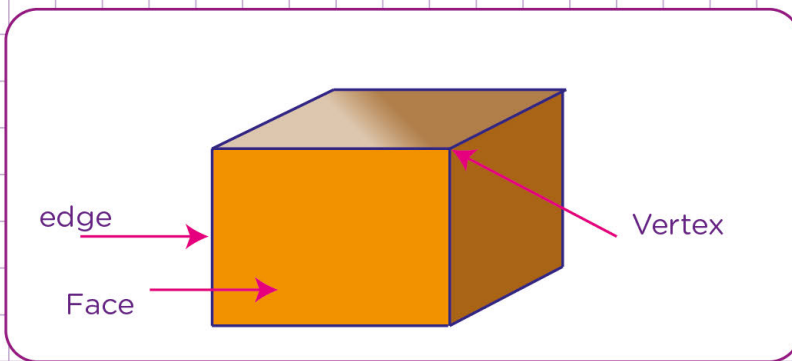
Name: ..... Class: .....

Count vertices edges and faces

A **face** is a flat surface.

An **edge** is a line segment where two faces come together

A **vertex** is a corner



Write the number of vertices, edges and faces, each figure has

8 Edges  
5 Faces  
5 vertices

6 Edges  
4 Faces  
4 vertices

0 Edge  
1 Face  
0 vertex

12 Edges  
6 Faces  
8 vertices

8 Edges  
5 Faces  
5 vertices

12 Edges  
6 Faces  
8 vertices