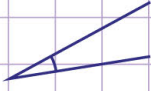
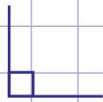


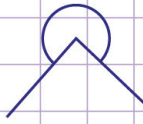
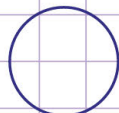


Name: ..... Class: .....

Acute, right, obtuse and straight angles

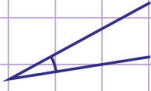
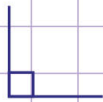


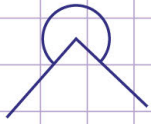
Classify each angle below as either right, acute, obtuse, reflex, straight or complete angle.

Types of Angles	Description	Figure
	It's less than $90^\circ$	
	Is exactly $90^\circ$	
	is greater than $90^\circ$ but less than $180^\circ$	
	is exactly $180^\circ$	
	is greater than $180^\circ$	
	is exactly $360^\circ$	

Name: ..... Class: .....

## Acute, right, obtuse and straight angles

Classify each angle below as either right, acute, obtuse, reflex, straight or complete angle.

Types of Angles	Description	Figure
Acute angle	It's less than $90^\circ$	
Right angle	Is exactly $90^\circ$	
Obtuse angle	is greater than $90^\circ$ but less than $180^\circ$	
Straight angle	is exactly $180^\circ$	
Reflex angle	is greater than $180^\circ$	
Complete angle	is exactly $360^\circ$	