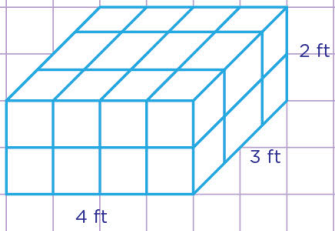


Name: Class:

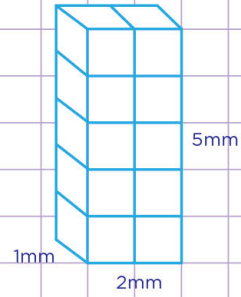
Volume

Find the volume of the following objects

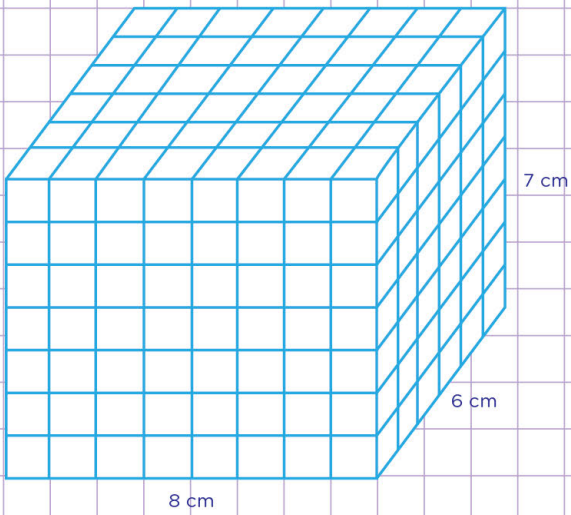
a.



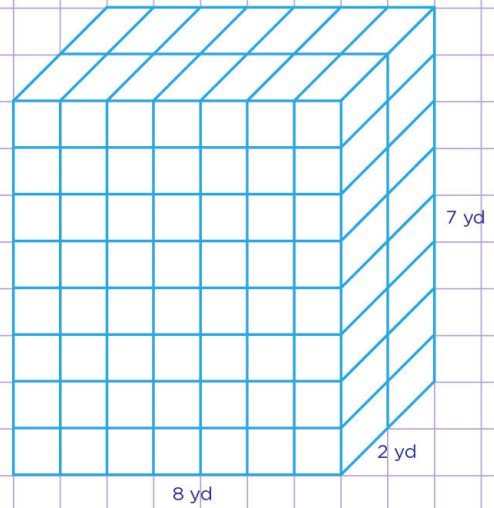
c.



b.



d.

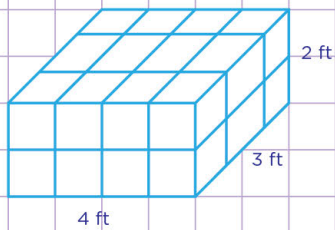


Name: Class:

Volume

Find the volume of the following objects

a.



We know that,
 volume of a cube = length X width X height

From the figure:

length = 4 ft

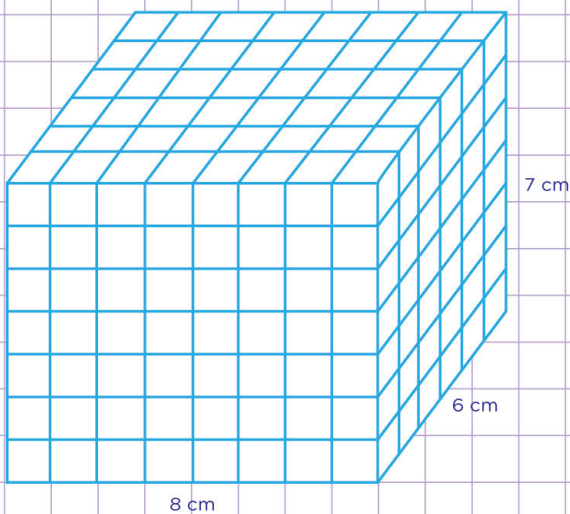
width = 3 ft

height = 2 ft

So, volume = 4 ft X 3 ft X 2 ft = 24 ft³

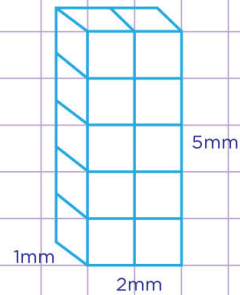
Therefore, volume of the object is 24 cubic feet

b.



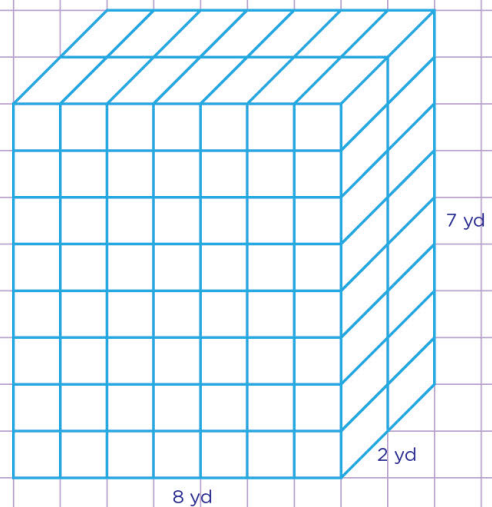
Volume = 336 cubic centimeters

c.



Volume = 10 cubic millimeters

d.



Volume = 112 cubic yards