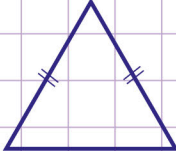


Name: Class:

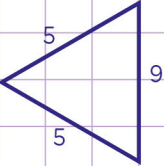
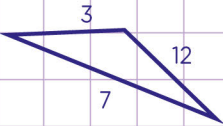
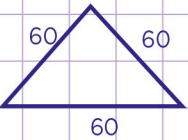
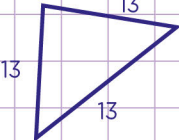
Scalene, isosceles, and equilateral triangles



Complete the table below by filling in the empty spaces.

Name	Description	Example
Equilateral triangle		
	Just two of the triangle's sides have the same length and also has 2 equal angles	
Scalene triangle		

Classify the triangles below.



Name: Class:

Scalene, isosceles, and equilateral triangles



Complete the table below by filling in the empty spaces.

Name	Description	Example
Equilateral triangle	All three sides of the triangle have the same length and also has 3 equal angles	
Isosceles triangle	Just two of the triangle's sides have the same length and also has 2 equal angles	
Scalene triangle	None of the sides of the triangle have the same length and all the angles are different	

Classify the triangles below.

	Let's take a look at the triangle. Two sides of the triangle have equal lengths. So, this is an isosceles triangle		Let's take a look at the triangle. None of the sides of this triangle have the same length. So, this is a scalene triangle
	Let's take a look at the triangle. Three sides of the triangle have equal lengths. So, this is an equilateral triangle		Let's take a look at the triangle. Three sides of the triangle have equal lengths. So, this is an equilateral triangle

