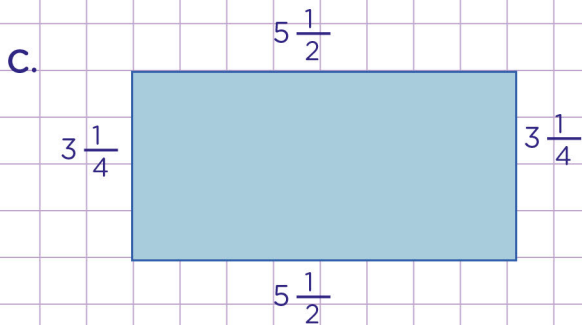
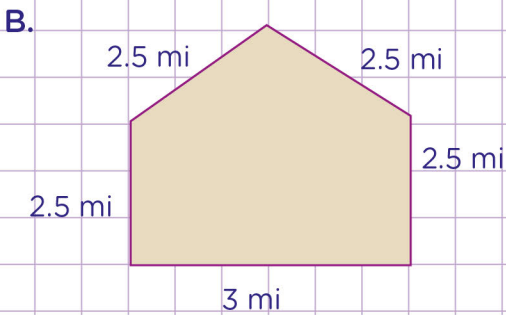
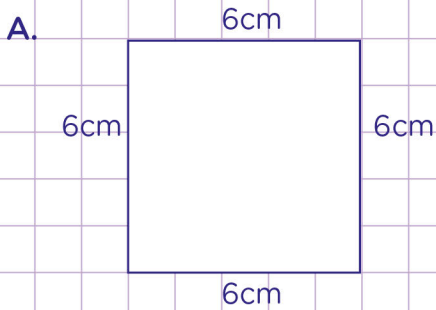


Name: Class:

Perimeter

Perimeter is the sum of all the side lengths

Find the perimeter of the figures below. Write your answer as a fraction or whole, or decimal number.

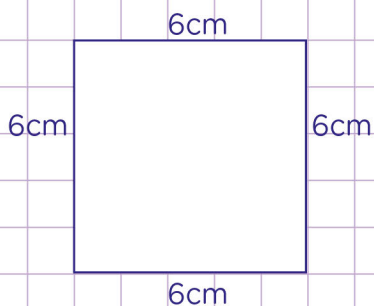


Name: Class:

Perimeter

Find the perimeter of the figures below. Write your answer as a fraction or whole, or decimal number.

A.



Let's first write down the formular

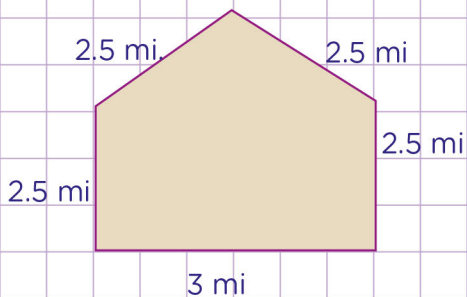
Perimeter = sum of all the side lengths

Secondly, we sum up all the side lengths

$$(6 + 6 + 6 + 6) \text{ cm} = 24 \text{ cm}$$

So, the perimeter = 24 cm

B.



Let's first write down the formular

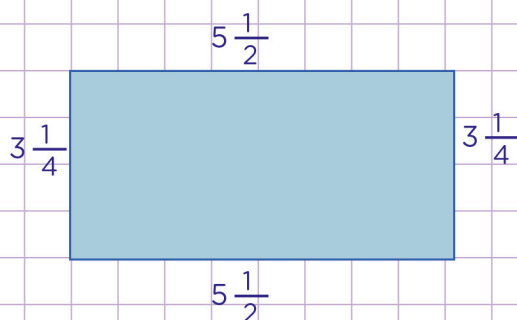
Perimeter = sum of all the side lengths

Secondly, we sum up all the side lengths

$$(2.5 + 2.5 + 2.5 + 2.5 + 3) \text{ mi} = 13 \text{ mi}$$

So, the perimeter = 13 mi

C.



Let's first write down the formular

Perimeter = sum of all the side lengths

Secondly, we sum up all the side lengths

$$(5\frac{1}{2} + 3\frac{1}{4} + 3\frac{1}{4} + 5\frac{1}{2}) \text{ mm}$$

Add whole numbers then fractions.

$$16 (\frac{1}{2} + \frac{1}{4} + \frac{1}{4} + \frac{1}{2}) \text{ mm}$$

$$16 (\frac{6}{4}) \text{ mm} = (16 \div 4) \frac{6}{1}$$

So, the perimeter = $17\frac{1}{2}$ mm

