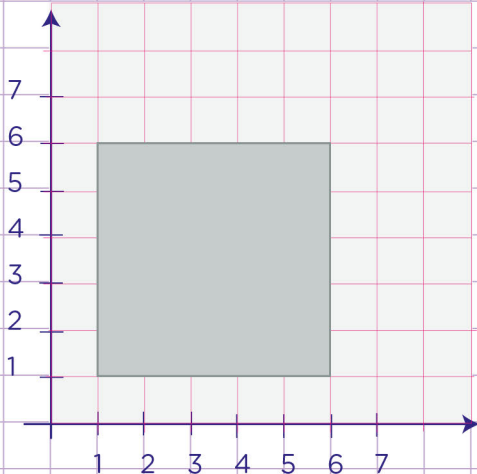
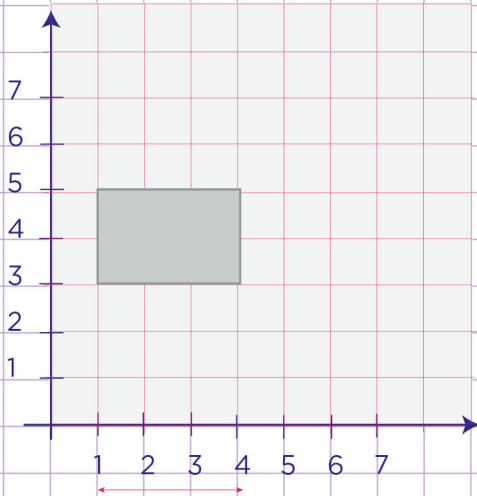


Name: ..... Class: .....

Perimeter of figures on grid

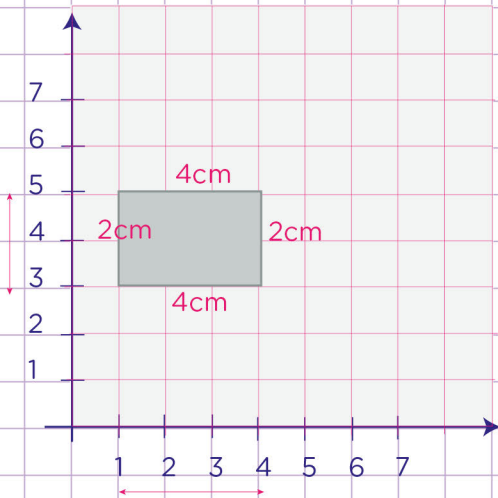
Find the perimeter of the shaded shape



Name: ..... Class: .....

## Perimeter of figures on grid

Find the perimeter of the shaded shape

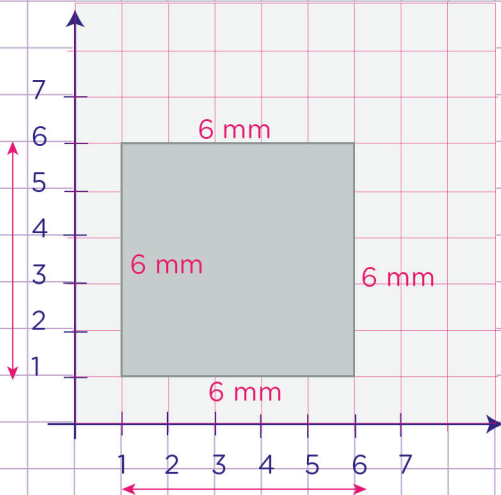


Let's first of all start by writing down the side lengths of the figure on the grid.

The side lengths are 4cm, 4cm, 2cm and 2cm

Finally let's sum up the side lengths  
 $(4 + 4 + 2 + 2) \text{ cm} = 12 \text{ cm}$

So, the perimeter = 12 cm.



Let's first of all start by writing down the side lengths of the figure on the grid.

The side lengths are 6mm, 6mm, 6mm and 6mm

Finally let's sum up the side lengths  
 $(6 + 6 + 6 + 6) \text{ mm} = 24 \text{ mm}$

So, the perimeter = 24 mm.