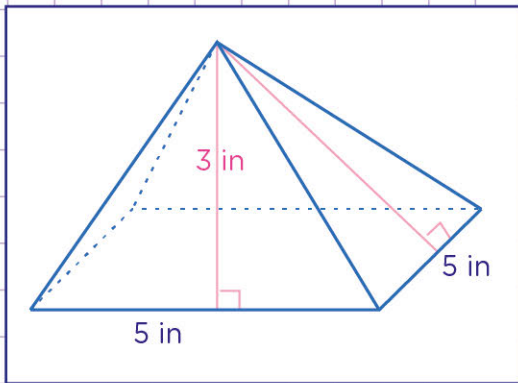


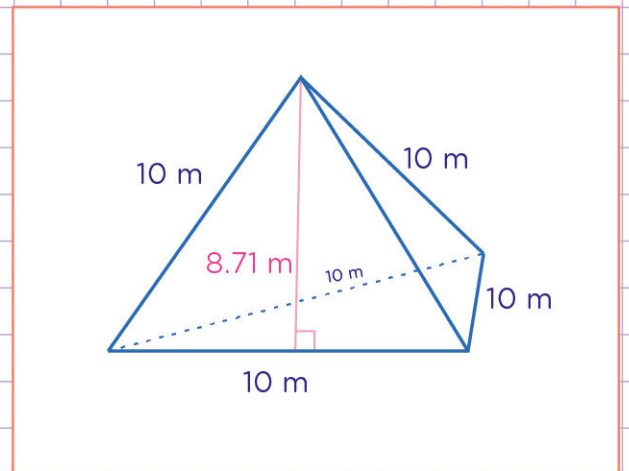
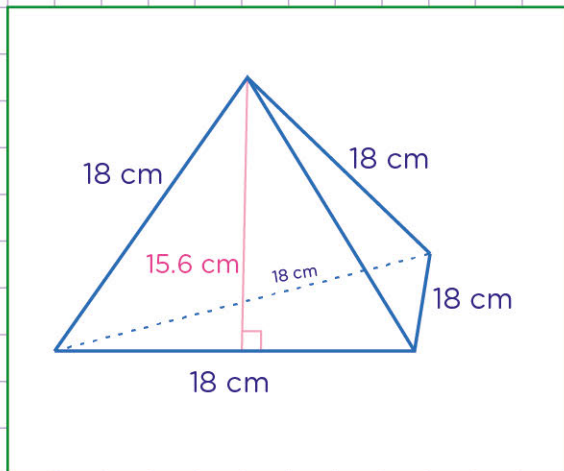
Name: Class:

Surface area of pyramids

Find the surface area of these triangular pyramid.



Find the surface area of these triangular pyramids. choose the correct answer



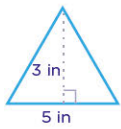
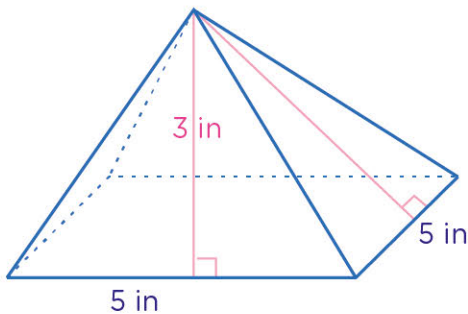
- 280.8 cm²
- 140.4 cm
- 280.8 cm
- 140.4 cm²

- 253.5 m²
- 174.2 m²
- 348.4 m²
- 176 m²

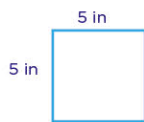
Name: Class:

Surface area of pyramids

Find the surface area of these triangular pyramid.



$$\text{Area} = \frac{1}{2} \times 3 \times 5 = 7.5 \text{ in}^2$$

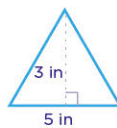


$$\text{Area} = \text{length} \times \text{width} = 5 \times 5 = 25 \text{ in}^2$$

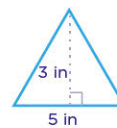
Firstly, identify the different faces of the prism.
 → It has 4 triangular faces and 1 rectangular faces

Secondly, find the area of each face.

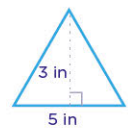
Finally, add the area of the 5 faces to get the surface area.



$$\text{Area} = \frac{1}{2} \times 3 \times 5 = 7.5 \text{ in}^2$$



$$\text{Area} = \frac{1}{2} \times 3 \times 5 = 7.5 \text{ in}^2$$

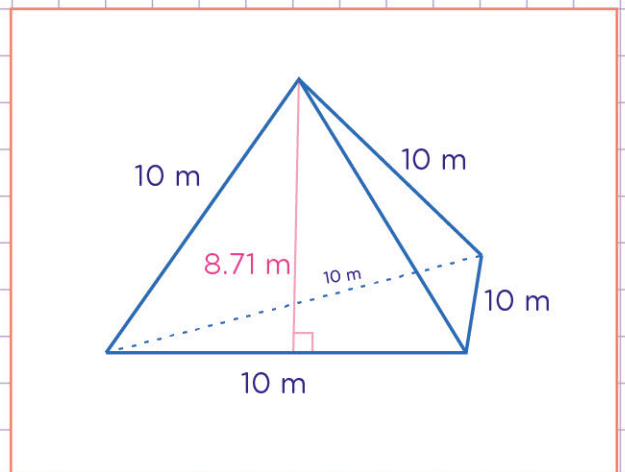
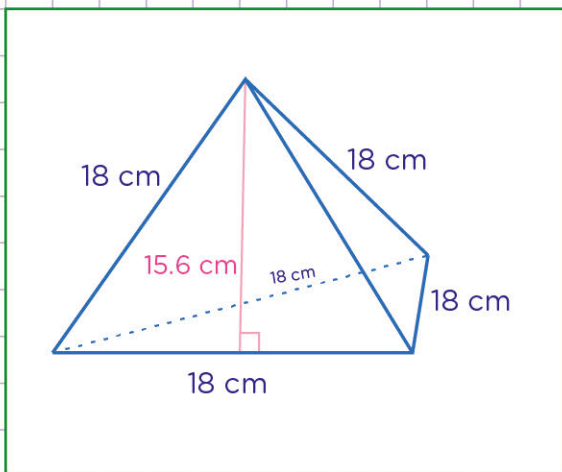


$$\text{Area} = \frac{1}{2} \times 3 \times 5 = 7.5 \text{ in}^2$$

$$\text{Surface area of prism} = (7.5 + 7.5 + 7.5 + 7.5 + 25) \text{ in}^2 = 55 \text{ in}^2$$

So, the surface area is 55 square inches.

Find the surface area of these triangular pyramids. choose the correct answer



280.8 cm²

140.4 cm

253.5 m²

174.2 m²

280.8 cm

140.4 cm²

348.4 m²

176 m²